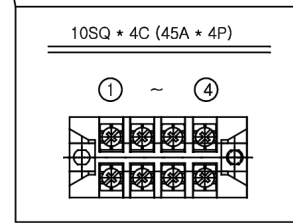
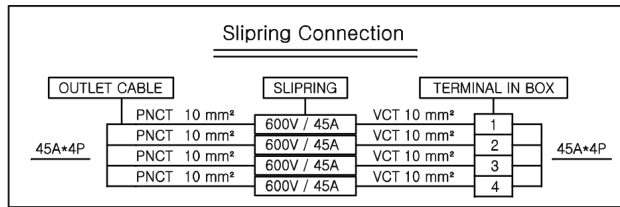
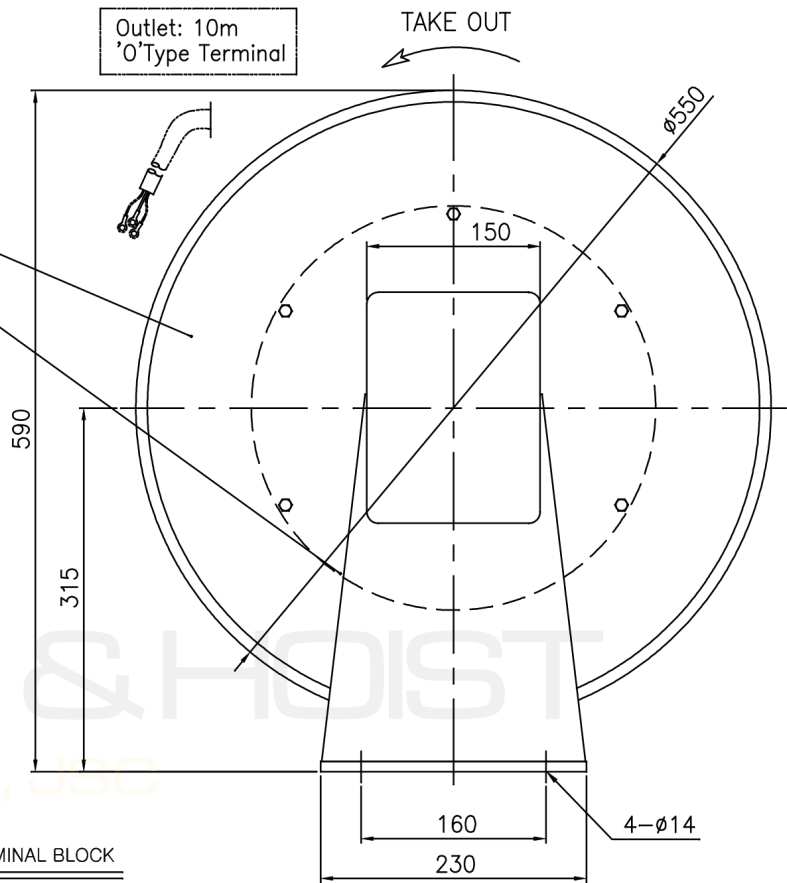
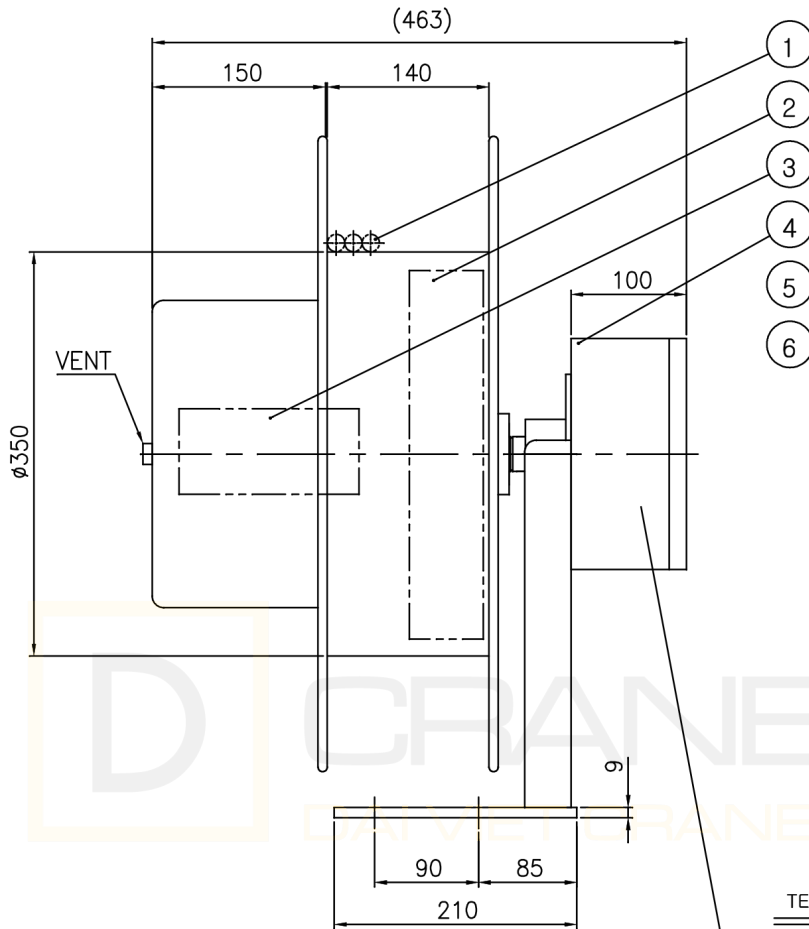
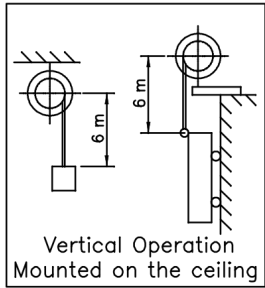
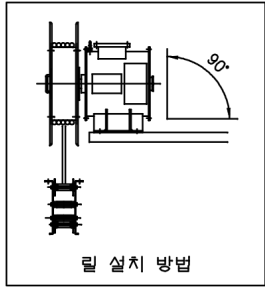
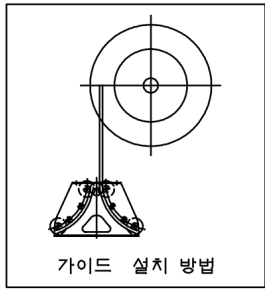


MARK	REVISIONS NO	REASONABLE RVISIONS	DATE	DWN	APVD



SPECIFICATION

1. Cable

- o PNCT 10 sq x 4c
- o Size : approx. 21.9mm
- o Weight : approx. 0.83 kg/m
- o Length : 10 M

2. Winding Length : 6 M

3. Winding Speed : max. 20 M/MIN

4. Winding Torque : 4 Kg.m

5. Slip Ring : 45A x 4P

6. Paint Color : MUNSSELL No. 7.5 BG6/1.5 (Out Door-60um)

7. Setting Height : Max. 6.0 m from G.L.

8. Q' ty : 7 Set

ITEM 순번	PARTS NO. 품번	PART NAME 품명	MATERIAL 재질	Q'TY 수량	REMARKS 비고
6		FRAME	SPHC	1	
5		DRUM	SPCC	2	
4		TERMINAL BOX	PLASTIC	1	
3		SLIP RING	C3771	4	BVS2008
2		SPRING	SK-5	2	
1		CABLE	PNCT	10M	

PROJECTION	DIMENSIONS	SCALE	MODEL
3rd ANGLE	METRIC (mm)	1 : 7	ECCV-1010-4
CUSTOMER	VNID		PART NAME
MODEL COLOR			PART NO.
			2018-9000
SIGN	S.S.H		
DATE	2014.8.20		



SAMKOOK INDUSTRIAL CO., Ltd

A4(210X297)